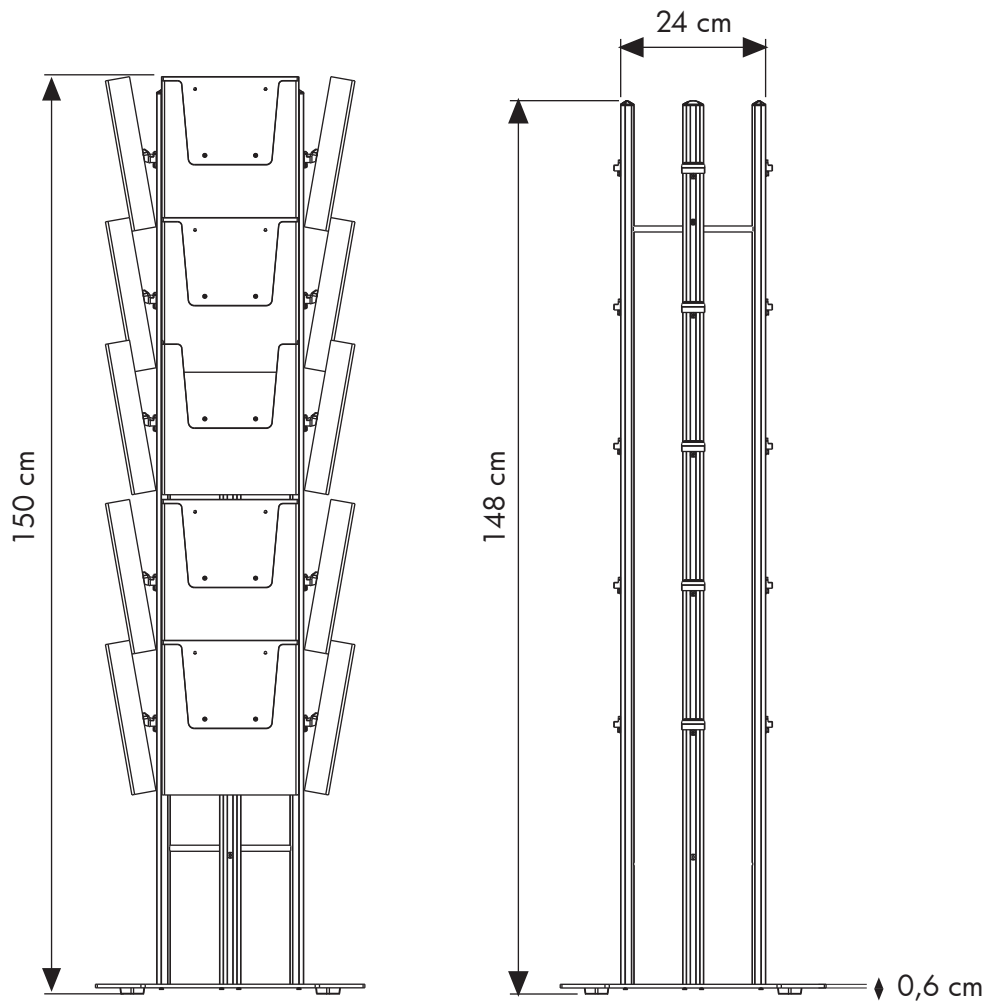




# 844 | Quad Brochure Tree




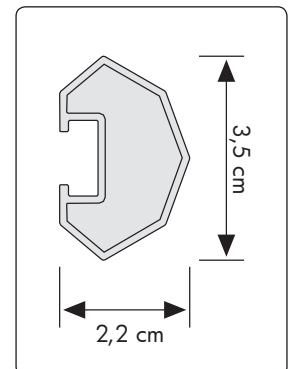
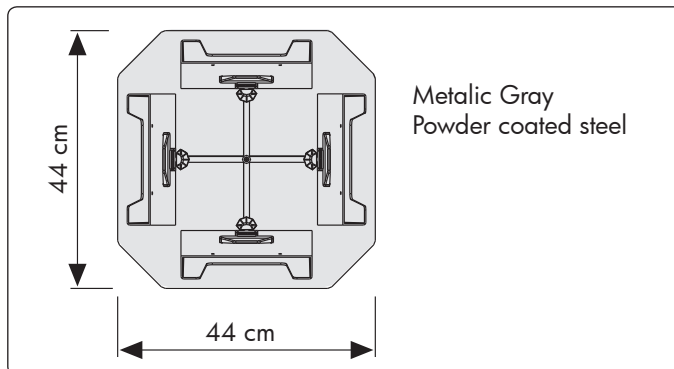
## TECHNICAL GUIDE



 Alu Brochure Stand with a powder coated gray octagonal heavy base of steel. The 20 acrylic pockets are suitable for A4 brochures. Quick and easy to assemble.

 Alu Prospektständer mit schwerem pulver-lakiertem grauem achteckigem Fuss aus Stahl. 20 Stück A4 Prospekthalter aus Acryl. Leicht und schnell zu montieren.

 Alu Brochurestander med pulverlakeret grå ottekantet tung fod i stål. De 20 stk. holdere i akryl passer til A4 brochurer. Hurtig og let at samle.



Model	Art.no.	Capacity	Colour	Total W x H	Package size and weight	Pallet size and quantity
844	6052	20 x A4	Silver/transparent	44 x 150 x 44 cm	29x152x11 + 46x46x3 + 4 pcs. 25x28x24 cm 22 kg	80 x 155 x 220 cm 20 pcs.