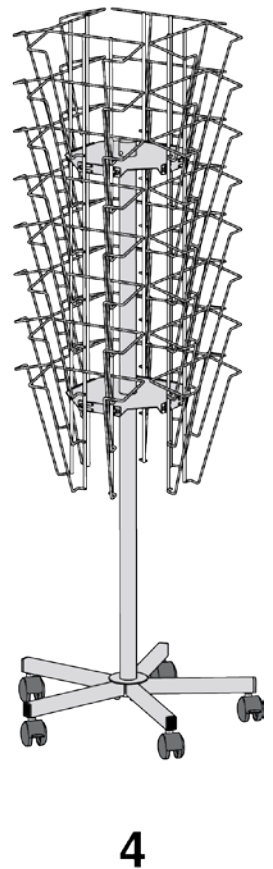
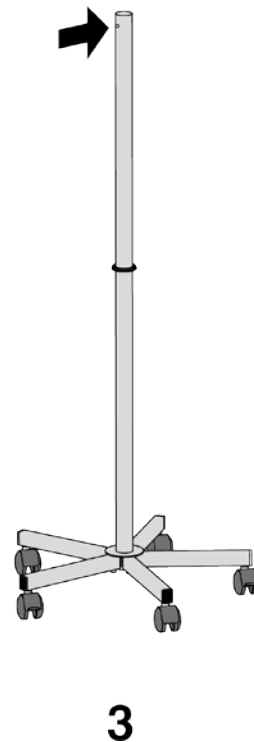
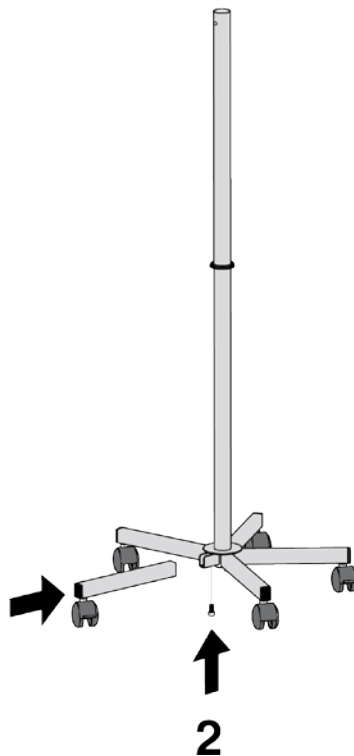
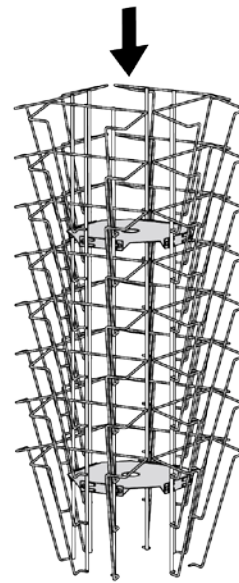
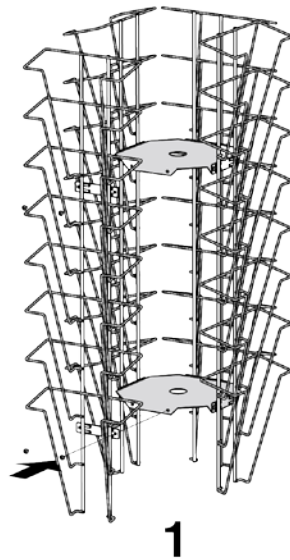
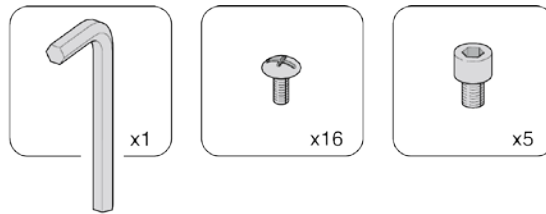


# 830 | Mobile 32 Brochure Stand



## TECHNICAL GUIDE



Rotating brochure display. Delivered with 5 wheels. Produced in steel-thread, powder coated in RAL9006 silver. With 32 A4 holders.

Drehbarer Prospektständer. Wird mit 5 Rollen geliefert. Aus Draht produziert. Polyesterlackiert in RAL9006 Silber. Mit 32 Stück A4 Prospekthaltern.

Roterende brochurestander med 32 stk. A4 brochureholdere - 2 cm dybe. Leveres med 5 stk. hjul. Produceret i tråd. Polyesterlakeret i sølv RAL9006.

Model	Art.no.	Capacity	Colour	Total W x H	Package size and weight	Pallet size and quantity
830	2530	32 x A4	Silver	50 x 146 cm	120 x 20 x 32 cm 10 kg	80 x 120 x 220 cm 24 pcs.