

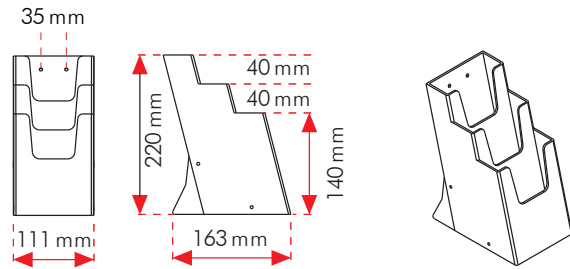
1209 | Acrylic Multi Dispenser



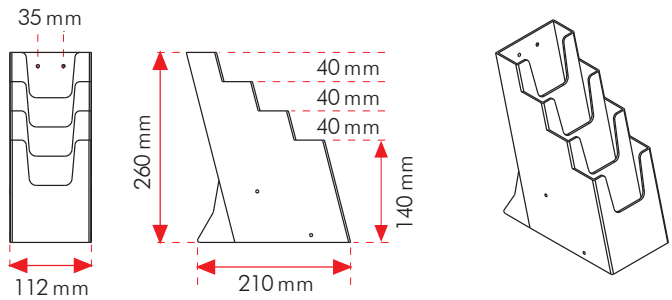
TECHNICAL GUIDE



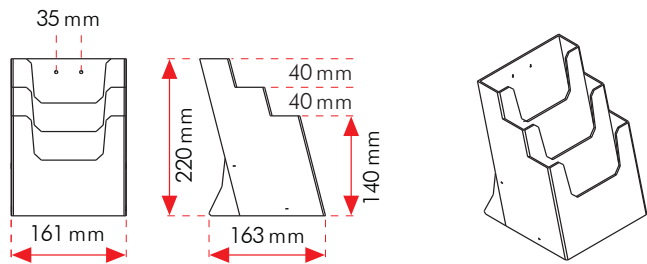
Art.no. 2754:
3 x M65



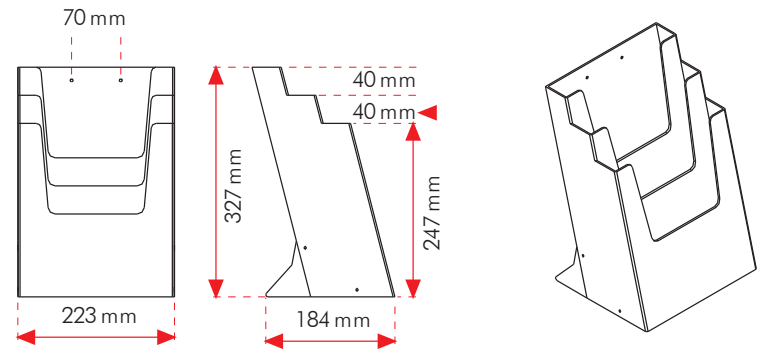
Art.no. 2757:
4 x M65



Art.no. 2755:
3 x A5



Art.no. 2756:
3 x A4

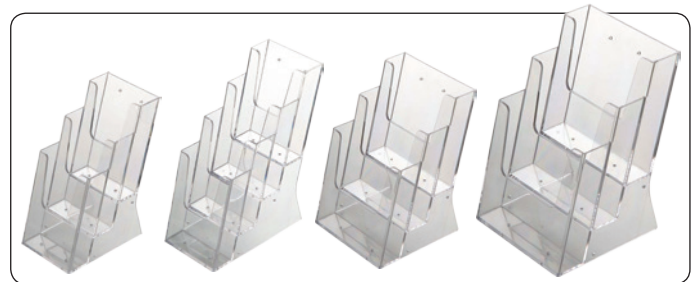
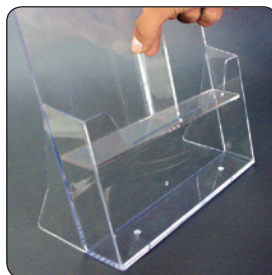


🇬🇧 Brochure holder made of transparent polystyrene, injection moulded.

🇩🇪 Prospekthalter aus transparentem spritzgussgeformtem Polystyrol hergestellt.

🇩🇰 Brochureholder produceret i transparent sprøjetøbt polystyren.

USE THE T-SEPARATOR FOR
ART. 2756 (A4)
AND GET 2 PCS. M65 ROOMS



Art. no.	Size (inside the box)	Colour	Total W x H x D	Package size and weight	Pallet size and quantity
2754	3 x M65	Transparent	11,1 x 22 x 16,3 cm	38 x 83 x 25 cm (20 pcs.) 0,5 kg	80 x 120 x 125 cm 220 pcs.
2757	4 x M65	-	11,2 x 26 x 21 cm	38 x 70 x 36 cm (18 pcs.) 0,5 kg	80 x 120 x 125 cm 162 pcs.
2755	3 x A5	-	16,1 x 22 x 16,3 cm	38 x 56 x 35 cm (12 pcs.) 0,6 kg	80 x 120 x 123 cm 144 pcs.
2756	3 x A4	-	22,3 x 32,7 x 18,4 cm	35 x 41 x 47 cm (4 pcs.) 0,6 kg	88 x 125 x 112 cm 48 pcs.
2749	T-separator (for A4)	-		45 x 24 x 8 cm (20 pcs.) 0,1 kg	